



# OBERDORFER®

An Ingersoll Rand Business

## Model N202M-908 and N202M-837 Bronze Rubber Impeller Pump



N202M-908



N202M-837

### Features

- 1/2" Suction and Discharge Ports
- Impeller easily replaced without removing pump from engine
- Rugged simplicity
- Corrosion Resistant
- Convenient drain plug
- Clemped flange mounting allows mounting in position 360°
- Male tange drive
- Two separate seals: main pump and flange mounting
- "Up" direction in & out ports
- High chrome nickel stainless steel shaft
- Machined in cam
- Replaces G908, 302837, 42175, 302648

### Liquids and Temperature

Liquids compatible with neoprene can be pumped including fresh and saltwater solutions and mild chemicals. Do not pump gasoline, severe solvents or acids. When possible flush pump with fresh water after each usage.

NBR impellers can handle oil contaminated water and kerosene at reduced impeller service life. Extremes of cold and heat will affect impeller life. Limits of 40°F to 140°F should be observed. Do not allow liquid in pump to freeze. Drain pump by removing drain plug provided. Located at bottom of pump body. Use methyl alcohol based anti-freeze compounds such as Zerex, Shell Sone, Pyro Permanent, Permagard, Dowgard.

### Rotation

Direct of shaft rotation determines inlet and outlet ports (see line dimension drawing). Prior to installation, rotate the pump manually in direction of rotation to set flexible blades in direction desired.

### Do Not Run Dry

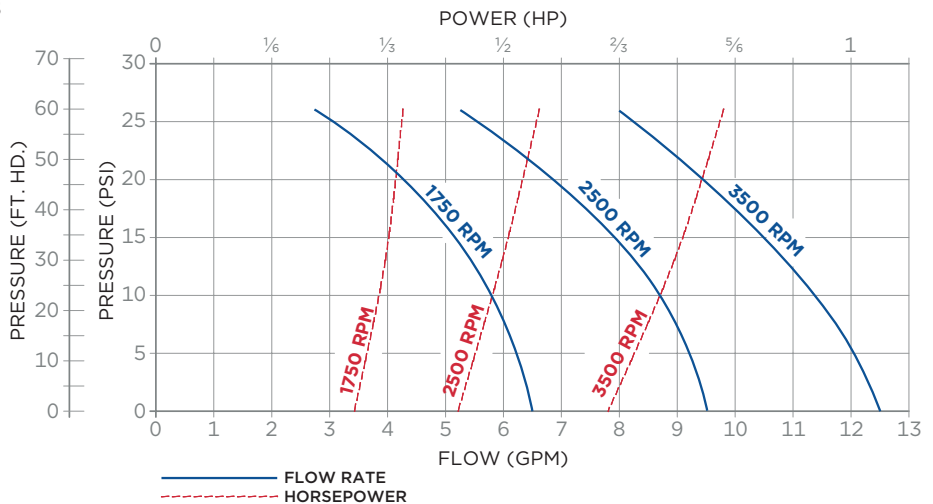
Rubber impeller generate high rubbing friction unless lubricated by liquid pumped. Lack of liquid will cause impeller to burn up.

### Suction Lift

On initial start-up pump must be primed to prevent dry-running of the impeller. Suction lift of 15 ft. is possible when impeller is wet and pump fully primed. Suction lines

### Performance

Capacity - Water 60°F





**OBERDORFER**<sup>®</sup>

An Ingersoll Rand Business

## Exploded View and Parts List

N202M-908

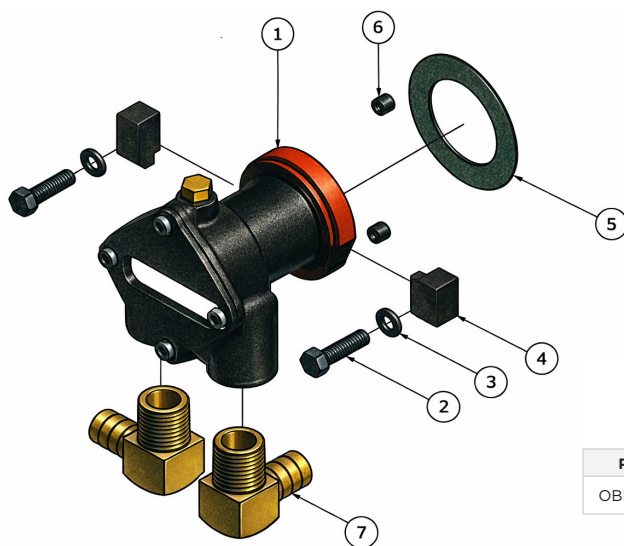


	1	2	3*	4*	5*	6	7	8*	9	10	11*	12	Repair Kit
	Screw	Cover	O-Ring	Snap Ring	Impeller	Shaft	Body	Lip Seal	Plug	Washer	Bearing	Tag	
Pump No.	Qty. 4	Qty. 1	Qty. 1	Qty. 1	Qty. 1	Qty. 1	Qty. 1	Qty. 2	Qty. 1	Qty. 2	Qty. 1	Qty. 1	
OBN202M-908	OB5385	OB6597B	OB9797-034	OB5373	OB6593	OB8767	OB3691	OB5463	OB6600	OB9647	OB5091	OB7736	OB11691

Repair Kits contains items 3, 4, 5, 8 & 11.

## Exploded View and Parts List

N202M-837



	1	2*	3*	4*	5*	6*	7*
	Rubber Impeller Pump	Cap Screw	Lock Washer	"L" Clamp	Mounting Gasket	Set Screw	Elbow Fitting
Pump No.	Qty. 1	Qty. 2	Qty. 2	Qty. 2	Qty. 2	Qty. 2	Qty. 2
OBN202M-837	OB5385	OB6597B	OB9797-034	OB5373	OB6593	OB8767	OB3691

Items 2 through 7 are included in the P/N OB12456 Mounting Kit



12500 South Pulaski Road  
Alsip, IL 60803, USA  
Phone (800) 448.1668

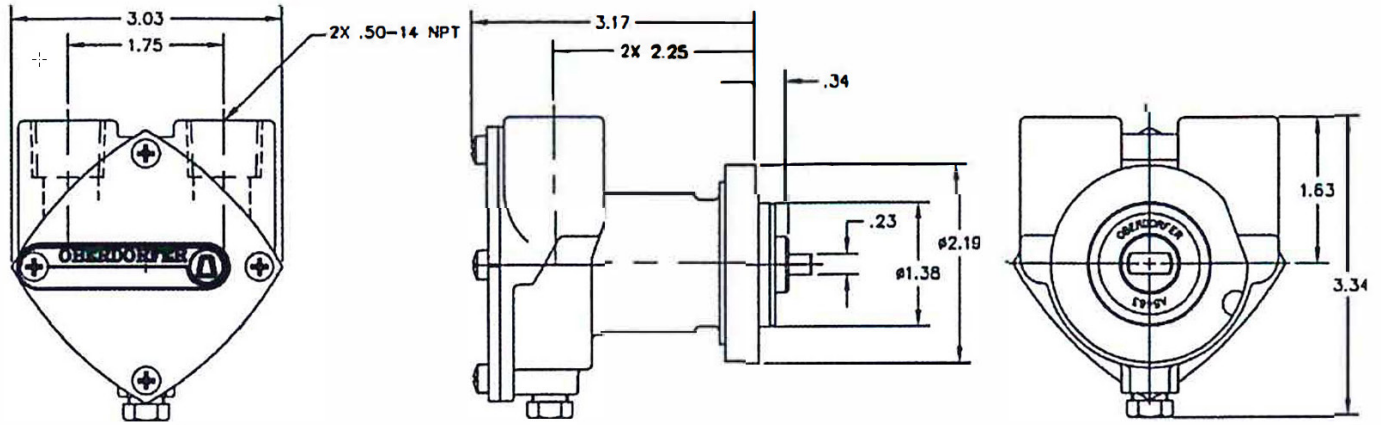


# OBERDORFER®

An Ingersoll Rand Business

## Dimensions

### N202M-908



Pump No.	Model	HP	Cylinders	Block
OB202M-908	M-12	10	2	Z-400
	M-18	14	2	Z-600
	M-20			
	M-25			
	M-25XP	23	3	D-950
	M-30	24	3	D-1101
	M-35			
	M-40			
	M-50	44	2	V-1902
	5411			
	5416			
	5424			
	5432			
	5444			



12500 South Pulaski Road  
 Alsip, IL 60803, USA  
 Phone (800) 448.1668